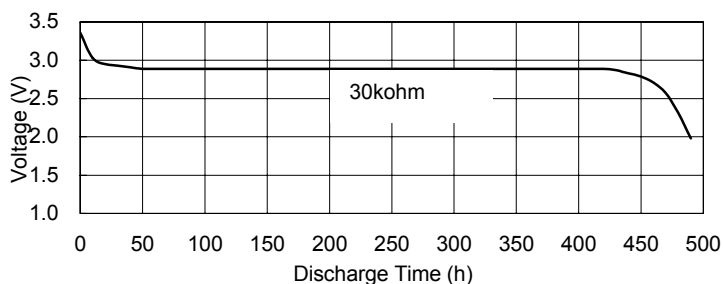


Model No.: **GPCR1616**

- Description** : Flat Lithium Battery
- Chemical System** : Lithium Manganese Dioxide
- Nominal Voltage** : 3.0 V
- Nominal Capacity** : 55mAh (Load Resistance: 30kΩ, Cutoff Voltage: 2.0V at 20 ± 2°C)
- Refer to IEC60068-1 5.3, it is acceptable if the average data  $\geq$  above and no more than one battery less than 80% in total 9 pcs tested sample.
- Maximum Discharge Current** : 2.5mA
- Dimensions** :  $\Phi$  16.0 \* 1.6 mm
- Shelf Life** : 5 years at room temperature
- Weight** : 1.1 grams
- Application** : Computers, Calculators, Meters, Radios

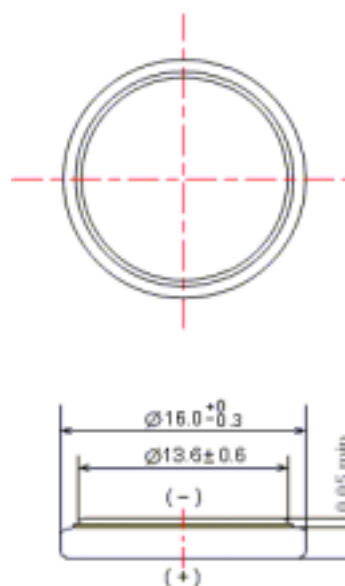
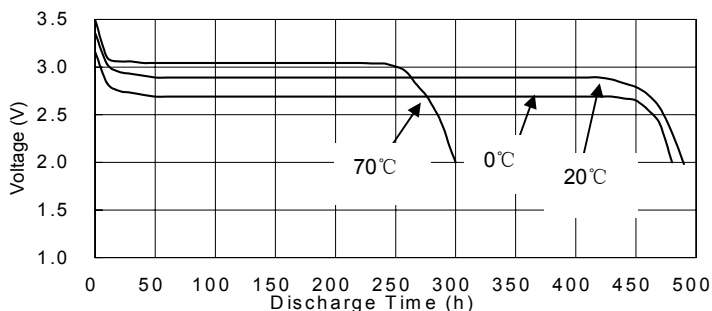
### Typical Discharge Characteristics On Load

At 20 ± 2°C



### Typical Discharge Characteristics On Temperature

Load 30kohm



Unit : mm

The information (subject to change without prior notice) contained in this document is for reference only and should not be used as a basis for product guarantee or warranty. For applications other than those described here, please consult your nearest GP Sales and Marketing Office or Distributors.