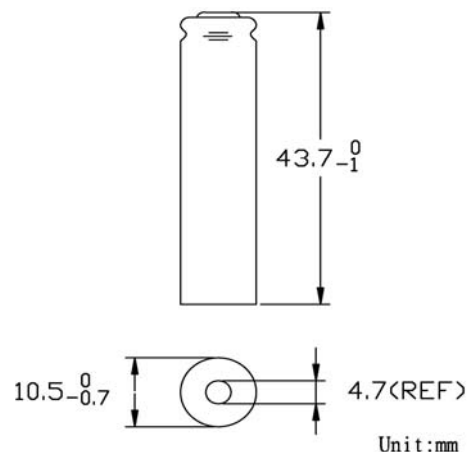
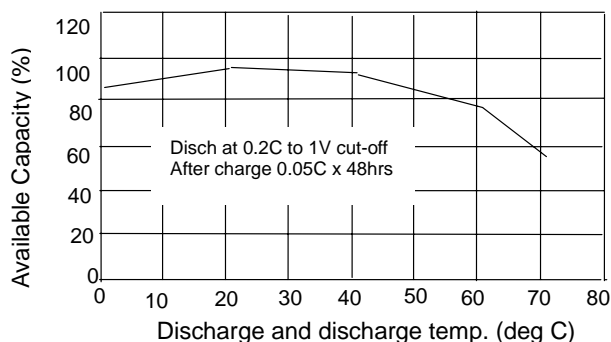


Type	: High Temperature Rechargeable Nickel Metal Hydride Cylindrical Cell
Nominal Dimension (with Sleeve)	: $\Phi = 10.5 \text{ mm}$ H = 43.7 mm
Applications	: Recommended discharge current 60 to 600 mA
Nominal Voltage	: 1.2V
Capacity	: Nominal: 600 mAh Minimum: 600 mAh Typical: 630 mAh When discharged at 120 mA to 1.0V at 20°C
Charging Condition	: 60 mA for 16 hrs at 20°C
Service Life	: >500 cycles (IEC 61951-2)
Continuous Overcharge	: Comply with IEC 61951-2 Permanent Charge Endurance Test
Weight	: 14.0g
Internal Resistance	: Average 40m Ω upon fully charged (Range 30 – 50 m Ω) at 1000Hz
Max. Charging Voltage	: 1.5V at 60 mA charging
Ambient Temperature Range	: Standard Charge : 0 to 70°C Fast Charging : 0 to 70°C Discharge : -20 to 70°C Storage : -20 to 35°C Storage (1week) : -20 to 60°C

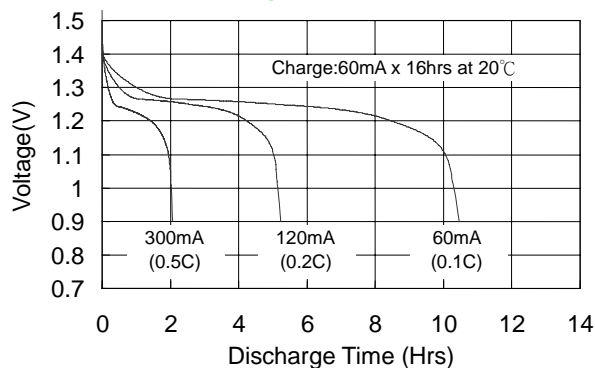
Model No.: **GP60AAAHT**



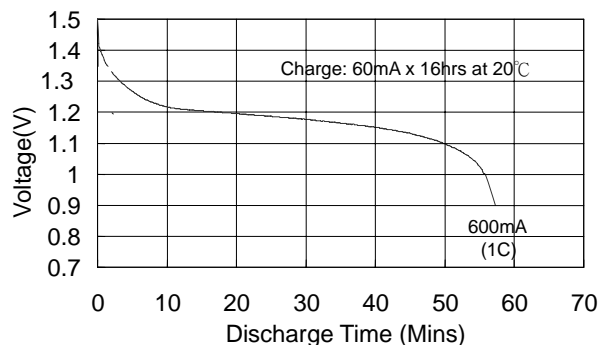
Charge/discharge efficiency vs temp



Low Rate Discharge



High Rate Discharge



The information (subject to change without prior notice) contained in this document is for reference only and should not be used as a basis for product guarantee or warranty. For applications other than those described here, please consult your nearest GP Sales and Marketing Office or Distributors.