

GP Batteries

PRODUCT SPECIFICATION

**GP SafeGuard Product
Model : LSS5**

Revision History

| Revision | Date | Initiator | Reason for Change |
|----------|-------------|-----------|-------------------|
| 0.0 | 12 Jan 2017 | CC Li | New release |
| | | | |
| | | | |
| | | | |
| | | | |

| Prepared By | Approved By |
|-------------|--------------|
| CC Li | Wilfred Kong |
| 12 Jan 2017 | 12 Jan 2017 |

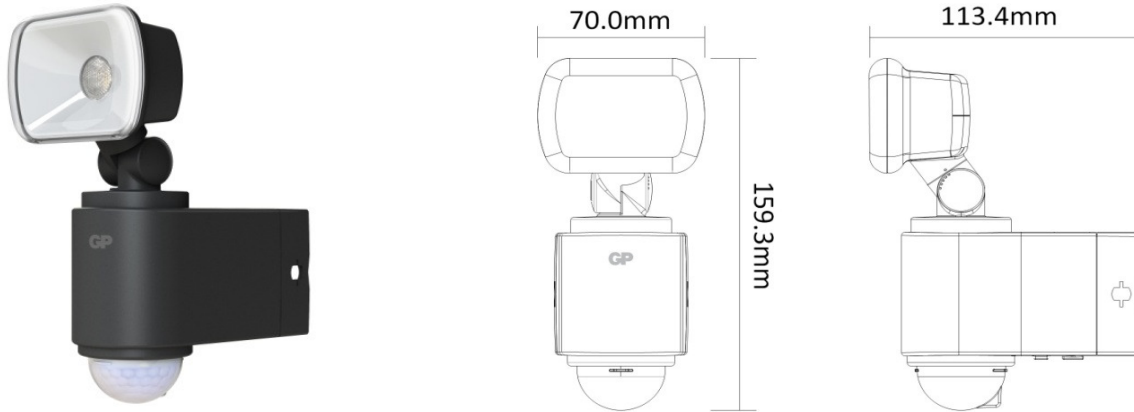
GPI International Limited

7/F, Building 16W, 16 Science Park West Avenue
Hong Kong Science Park, New Territories, Hong Kong,
Tel: (852) 2484 3333 Fax: (852) 24805912
Email: gpii@goldpeak.com
Website: <http://www.gpbatteries.com>

GP Batteries

Product Specification

Model no.: LSS5



Product Name : GP Safeguard RF1.1
Description : Cordless safety and security LED sensor light, one headlamp, LSS5

Electrical characteristics

Input Voltage : 4.5VDC (3 x 1.5V AA batteries)
Operating Voltage : 4.5V
Maximum Wattage : 1.0W
Battery life time : 600 days* (Based on 5 operation per day in Auto mode)
300 days* (Based on 10 operation per day in Auto mode)
200 days* (Based on 15 operation per day in Auto mode)
8 hours* (Constant On mode)

Lighting characteristics

CCT : 4500K-5500K
CRI : ≥ 80
luminous flux / Intensity : ≥ 60 lm
LED type : 1 x SMD LED
Light modes : OFF / ON / AUTO
Light duration in auto mode : 10 s \pm 3 s
Illuminated area at 2M height : 1.2 M²
Illuminated area at 4M height : 5 M²
Beam angle : $35^\circ \pm 5^\circ$

GP Batteries

Product Specification

Model no.: LSS5

Sensors characteristics

| | |
|------------------------|-------------------------------|
| Sensor | : Photo sensors & PIR Sensors |
| Sensor detection range | : 8M, 110° |
| Log in lux value | : 0-35 Lux |
| Log out lux value | : 0~40 Lux |
| Warm up time | : 30 s \pm 10 s |

Physical characteristics

| | |
|-----------------------|---------------------------------------|
| Operating temperature | : -20 °C to 50 °C |
| Storage temperature | : -20 °C to 50 °C |
| Dimension | : 70.0 (L) x 159.3 (H) x 113.4 (D) mm |
| Weight | : 155 g \pm 5% |
| Housing material | : PC |
| IP Rating | : IP55 |

| | |
|--------------------|----------------------------------|
| Product compliance | : CE, Rohs |
| Warranty Period | : 12 months from ex-factory date |